

SPECIAL ENROLMENT APPLICATION 2019-2020

Identification

Surname

First name(s)

Date of birth Day Month Year

Place of birth

Country of birth

Nationality (country)

Belgian National Register No

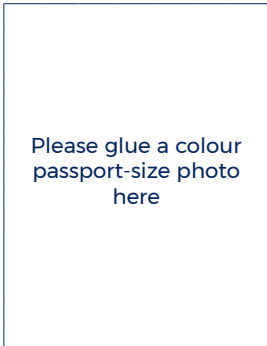
Or identity card No

Or Passeport No

Gender * female male

Marital status* single married widowed divorced separated in a civil partnership

Spouse's name Number of children



If you have previously been enrolled at UCLouvain, please indicate your matriculation number (NOMA)

Contact details

CONTACT

Please provide your mobile number and private e-mail address (**IN CAPITAL LETTERS**). We will use your private e-mail address until your UCLouvain e-mail address has been set up.

Mobile

Private e-mail

HOME ADDRESS

House name (where applicable)

Street (or as appropriate)

Number Box Postcode

Town

Country

Landline no.

TERM-TIME ADDRESS (STUDENT ACCOMMODATION)

House name (where applicable)

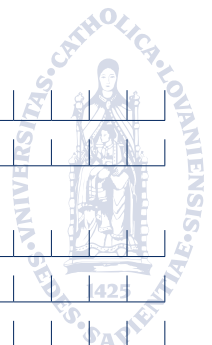
Street (or as appropriate)

Number Box Postcode

Town

Country

Landline no.



Which address would you like your post to be sent to? * Home address Term-time address

An asterisk * indicates you should check one box

PLEASE NOTE! Duplex printing or printing in a reduced format are not allowed

Please enclose the following with your application:

- this document, dated and signed AND, depending on the type of enrolment required (please mark your choice below), the additional document(s) requested
- the enclosed "University Regulations and Data Protection" document, dated and signed
- a colour photo with a white background (of the correct size) glued to the attached "Ordering a UCLouvain access card" document
- a photocopy of your identity card or passport

INDIVIDUAL COURSE(S) OR LANGUAGE COURSE AT THE LANGUAGE INSTITUTE OF UCLouvain (ILV)

- official offer of a place ("autorisation d'inscription") in a individual course(s) or language course

Please return your duly completed and signed application to the UCLouvain University's Enrolment Office

ENROLMENT ON A « CERTIFICAT DE RECHERCHE »

- official offer of a place ("autorisation d'inscription") issued by the UCLouvain University's Enrolment Office

Please bring your duly completed and signed application to the UCLouvain University's Enrolment Office

ENROLMENT AS AN "INTERN"

- a photocopy of the internship agreement signed by all three parties

Please bring your duly completed and signed application to the UCLouvain University's Enrolment Office

ENROLMENT IN A "INTER-UNIVERSITY PROGRAMME"

- confirmation of enrolment at your home university

Please return your duly completed and signed application for processing to the UCLouvain faculty in which you will be studying

ENROLMENT ON A LIFELONG LEARNING PROGRAMME

Please complete the questionnaire below

(information provided on a voluntary basis and used for statistical purposes only):

> If you have obtained a secondary education diploma, please specify the year in which it was earned:

> If you have obtained one or more higher education diplomas either within or outside the French-speaking Community of Belgium, please specify the year in which you earned the most recent diploma:

> What is your professional status? Employed Self-Employed Unemployed Other
(you may select more than one)

> Are you currently seeking employment? Yes No

Return application to:

Irrespective of the type of enrolment you have selected, please date and sign this document

 Date

 Signature

RESERVED FOR THE UCLouvain FACULTY

(for enrolment on either an «inter-university programme» or a lifelong learning programme)

- specify the course title:

- specify the UCLouvain course code to be used: /

 Date

 Signature and stamp of the UCLouvain faculty

Name and telephone extension



RESERVED FOR CONTINUING EDUCATION

This program is concerned with the « 66U »

Je soussigné(e) (I, the undersigned)

Nom (Surname)

Prénom (First name)

RÈGLEMENT DE L'UNIVERSITÉ - REGLEMENTATIONS

Conformément aux informations reprises sur le lien <https://uclouvain.be/fr/etudier/inscriptions/reglementations.html>, je déclare avoir lu le règlement de l'université et j'en accepte les termes.

In accordance with the information at <https://uclouvain.be/en/study/inscriptions/reglementations.html>, I declare that I have read and accept the terms of the university regulations.

POLITIQUE DE PROTECTION DES DONNÉES - DATA PROTECTION POLICY

Conformément aux informations reprises sur le lien <https://uclouvain.be/fr/etudier/inscriptions/vie-privee.html>, je déclare avoir lu la politique de protection des données de l'Université catholique Louvain et j'en accepte les termes.

In accordance with the information at <https://uclouvain.be/en/study/inscriptions/vie-privee.html>, I declare that I have read and accept the terms of the data protection policy of the University of Louvain.

ACCÈS AUX PROFESSIONS RÉGLEMENTÉES - ACCESS TO REGULATED PROFESSIONS

Conformément aux informations reprises sur le lien <https://uclouvain.be/fr/etudier/inscriptions/acces-aux-professions-reglementees.html>, je déclare avoir reçu, si ces études me concernent, les informations relatives aux conditions d'accès à ces études ou d'accès à la suite de ces études et aux règles ou restrictions d'agrément ou d'établissement professionnel particulières auxquelles le titre professionnel ou d'agrégé est soumis et j'en accepte les termes.

In accordance with the information at <https://uclouvain.be/en/study/inscriptions/acces-aux-professions-reglementees.html>, should it apply to me, I declare that I have received the information relating to the admission and graduation requirements and to the particular rules and restrictions of accreditation and professional establishment to which the professional or teacher training title is subject and I accept the terms.



Fait à (Signed in)

.....



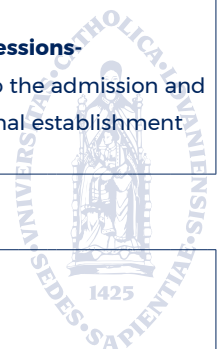
Le (On)

.....



Signature

.....



Reserved for UCLouvain	
Noma	<input type="text"/>
N° photo	<input type="text"/>

Order of an UCLouvain access card

Personal information
Last Name _____
First Name _____

Mrs., Mr.,

The Catholic University of Louvain provides its students with an access card with progressively enriched features (access to buildings, car parks, computers...)

More information at: <https://uclouvain.be/fr/decouvrir/smartcard.html>.

Please provide us a photo that meets the following specifications:

- Recent photo in color on a white background done by a professional photographer (photocopies or printings are not accepted)
- Passport size photo (35 x 45 mm)
- Centered and visible face (height must be between 25 and 35 mm)
- Recent and quality photo
- Carefully glued (no sticky paper nor staple)

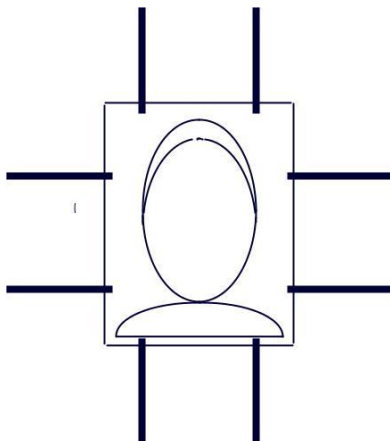
Thanks in advance.

Anne Van Laethem
Director of Enrolment Service

Paste the photo below

Beware: ensure that the dimension of the photo (35 x 45 mm) must entirely hide the rectangle below, without hiding the eight black marks, which must always be visible.

Do not write anything below



Reserved to UCLouvain Do not write anything here.	
--	--